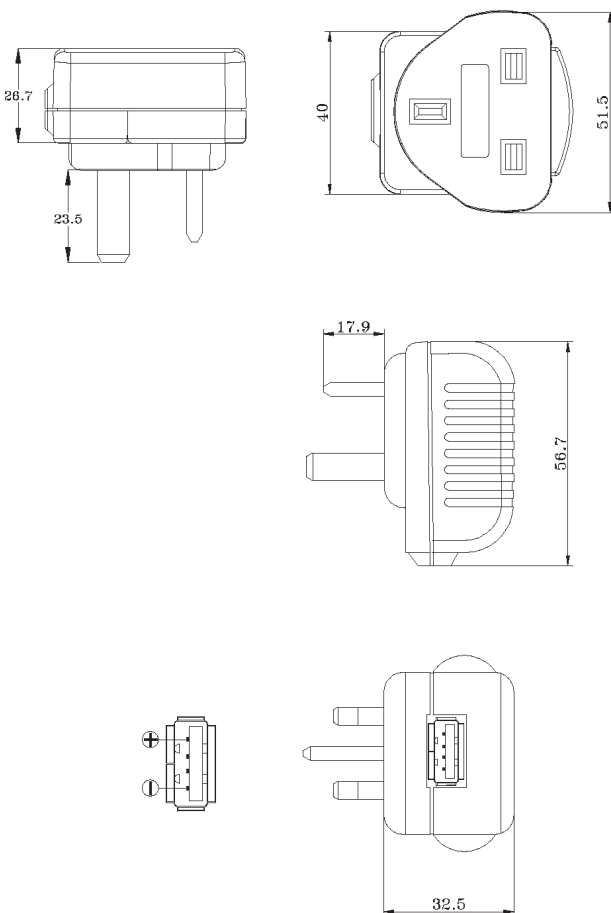


### Part Number: T4836ST - 5Vdc 1Amp UK Plugtop with USB SMPSU

#### Product Image



Mechanical Drawings (mm)



#### Input

Input Voltage Rating ..... 100 - 240 Vac  
 Input Voltage Range ..... 90 - 264Vac  
 Input Frequency ..... 47 - 63 Hz  
 Input Current ..... 0.3A Max @ 90V/60Hz full load  
 Max. Inrush current ..... 30A @ 100Vac / 75A @ 240Vac full load  
 Standby Power with no load ..... 0.3W Max @ 240V/50Hz  
 Plug Type..... Fixed UK plug

#### Output

Output Voltage ..... +5VDC  
 Output Voltage Tolerance ..... +/-0.25V  
 Minimum Load Current ..... 0Amp  
 Nominal Load Current ..... 1Amp  
 Nominal Load Power ..... 5Watts  
 Line Regulation ..... +/-1%  
 Load Regulation ..... +/-5%  
 Ripple And Noise ..... 100mV p-p (max.)  
 Efficiency ..... 60% min. @ full load  
 Protections ..... Short, Over Voltage, Over Temp. & Over Current  
 Output Connection Style ..... USB Inlet

#### Other

Hold Up Time ..... 10 sec. min. @ 100Vac / 60H full load  
 Turn on delay time ..... 3 sec. max. @ 100Vac / 60H full load  
 Switching Frequency ..... 65K Hz typical  
 Weight ..... approx. 82g  
 Operating Temperature ..... -20 °C To +45 °C  
 Storage Temperature ..... -20 °C To +75 °C  
 MTBF..... 50,000 hours  
 Hi-Pot ..... 3000Vac 10mA /min  
 Insulation ..... IP-OP 500Vdc 10Mohm min.  
 Safety..... CE (EN60950 / EN55022)

#### Disclaimer

Stontronics Ltd accepts no responsibility for typographical errors in the production of this leaflet. Product specifications are subject to change without notice.

Stontronics Ltd is ISO 9001:2008 registered.



For more information please contact us:

Stontronics Ltd,  
 Chancerygate Business Centre, Cradock Road, Reading, Berkshire, RG2 0AH  
 Tel: 0118 931 1199  
 Fax: 0118 931 1145  
 Email: info@stontronics.co.uk  
[www.stontronics.co.uk](http://www.stontronics.co.uk)