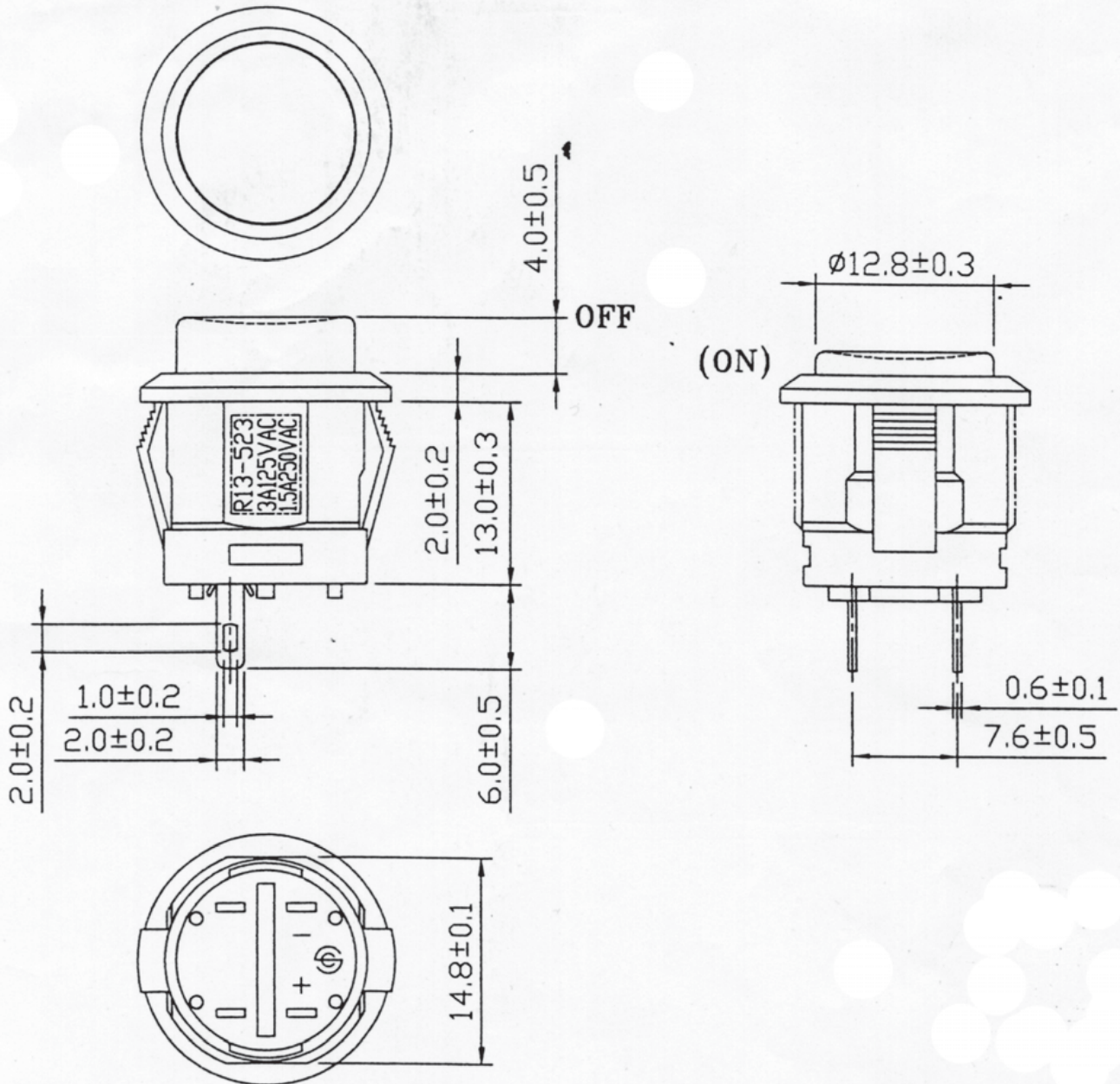


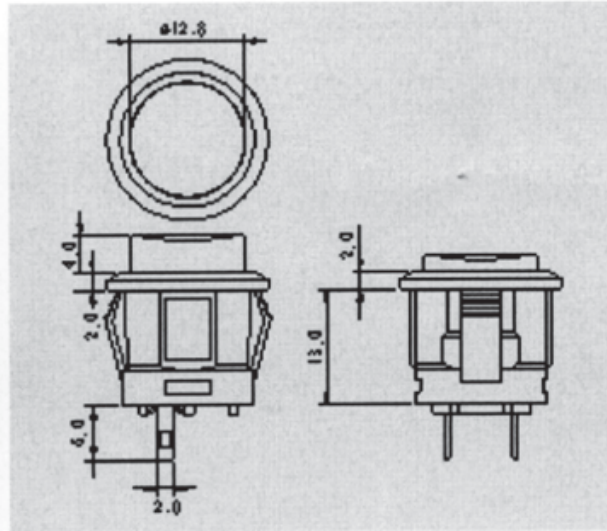
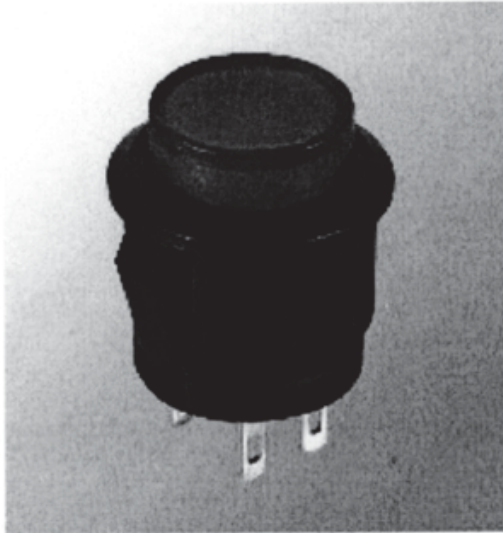
Rating	3A 125V,1.5A 250V AC	Mount Hole	Circuit Structure	
Contact R	50m ohm Max.		OFF	
Insulation R	DC 500V 100M ohm Min.		ON	
Dielectric Strength	AC 1500V 1 minute			
Operating Temperature	-20°~85°			
Circuit	2P SPST (ON)-OFF			



C3\WORK14\R13-523A

△		Date	Name	Descriptions		
Drawing	Check	Approval	SCI No.	Model Name		
王佰山			Customer No.	Model No.	R13-523A-05	
12/20/00			Unit	mm	SHIN CHIN INDUSTRIAL CO., LTD.	

R13-523



Rating

3A 125V AC
1.5A 250V AC

Contact resistance

50mΩ Max

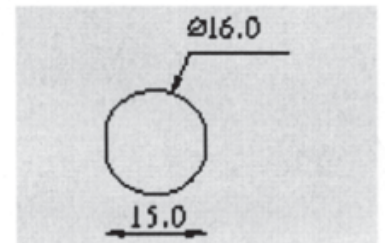
Insulation resistance

DC 500V 100MΩ Min

Dielectric strength

AC 1500V 1 minute

Cut-out

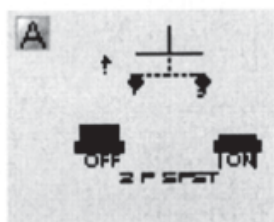


0.75~3.0 mm max

FEATURES

- **MATERIAL:** Frames are nylon (UL flame: 94V-2). Terminals are silver plated brass.
- Illuminated actuators are molded in PC, available with red, amber, and green colors.

R13-523 FUNCTION BUTTON TERMINAL



W/O LED

With LED

0 5 0 so

