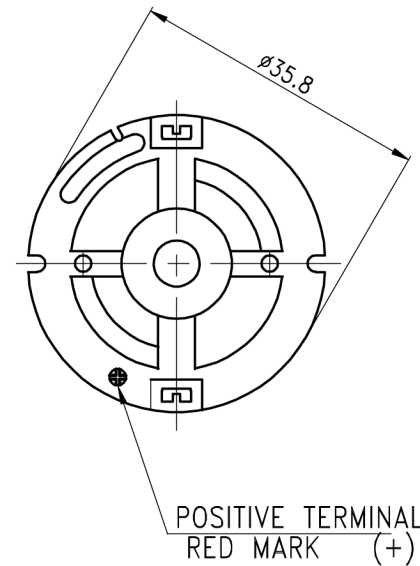
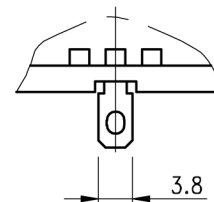
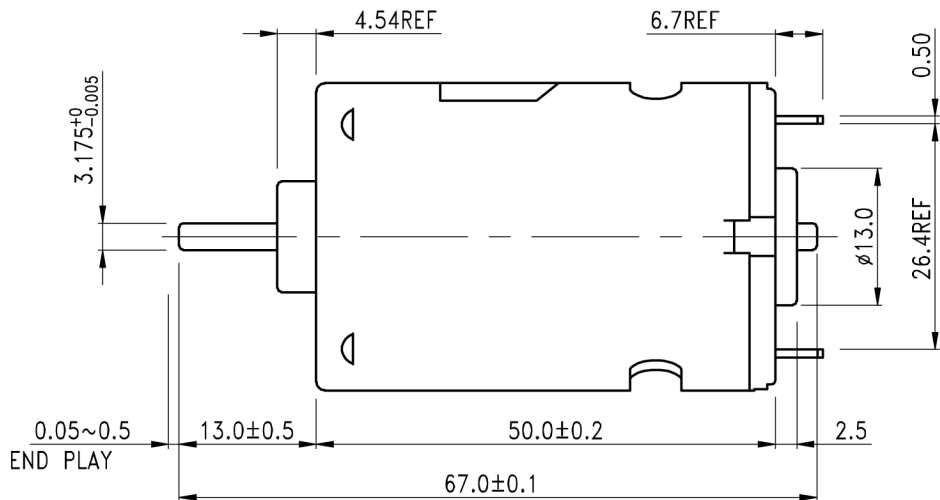
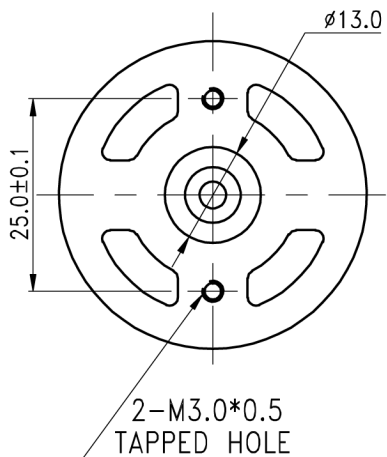


DIRECTION OF ROTATION



CONFIRMED & ACCEPTED BY CUSTOMER (客户接受&确认) COMPANY, CHOP & SIGNATURE (盖章&签名)	MODEL NO.	HS-540SA-7120	DES'D	
	SAMPLE MO.	A081205-1A	CHK'D	
			APP'D	
			SCALE	1:1

MOTOR OUTGOING SPECIFICATION

Model No. : HS-540SA-7120

Sample No. : A081205-1A

1.Motor Type:
马达类型

Small PMDC motor
微型直流马达

2.Standard Operating Conditions:
标准工作条件

2-1 Rated Voltage(额定电压): 7.0V DC CONSTANT between motor terminals(端子电压7.0V)
2-1 Direction of Rotation(旋转方向): CCW, when viewed from output shaft side(从输出轴端看CCW)

3.Electrical Characteristics(at initial stage after 30 seconds run-in):
电气特性 (启动30秒后初始阶段)

3-1 No Load Current(空载电流): 1.80A max
3-2 No Load Speed(空载转速): 20400±12%rpm
3-3 Rated Load(tested with fan 40*15mm): 81.64g.cm
 额定负载(40*15mm风叶)
3-4 Rated Current(额定电流): 4.70A max
3-5 Rated Speed(额定转速): 19500±10%rpm
3-6 Noise(噪音): 30cm≤70dB
3-7 Motor Characteristic Curve(马达特性曲线): See Motor Performance Curves And Characteristics(看马达特性曲线图).

4.Mechanical Characteristics:
机械特性

4-1 External Appearance(外形): See Outline(看外形图)
4-2 End Play(虚位): 0.05~0.5mm
4-3 Runout of Shaft Extension(轴突端跳动): 0.02mm max

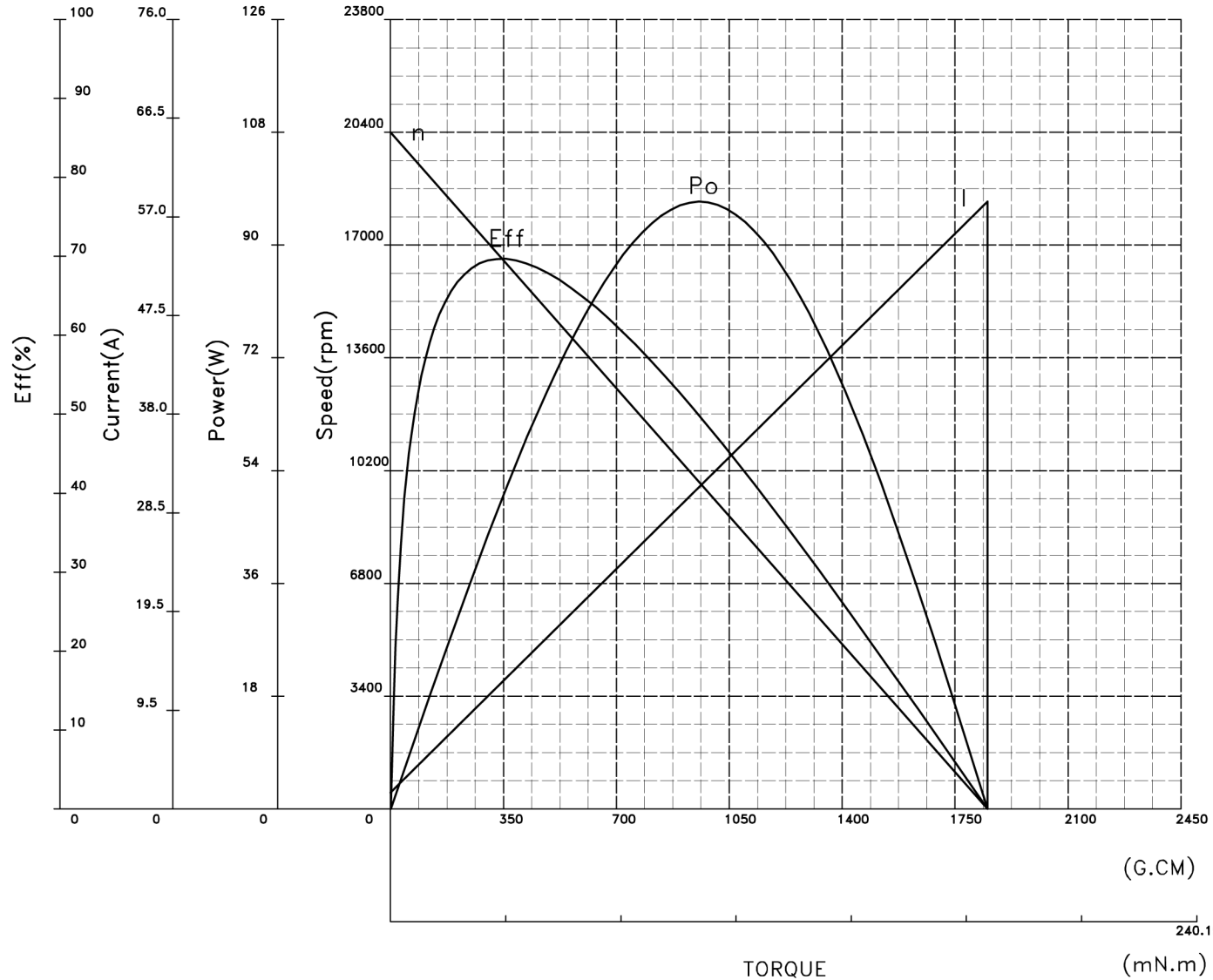
CONFIRMED & ACCEPTED BY CUSTOMER (客户接受&确认)

COMPANY, CHOP & SIGNATURE (盖章&签名)

PREPARED: _____ CHECKED: _____ APPROVED: _____

MODEL (型号): HS-540SA-7120
 CONSTANT (转向): CCW F/Y

VOLTAGE (电压): 7.0V/DC
 DATE (时间): 2008/12/05



At No Load (空载)

SPEED (转速): 20400 RPM
 CURRENT (电流): 1.59 AMP

At stall (Extrapolated) (失速)

TORQUE (力矩): 1850.56 G.CM
 CURRENT (电流): 58.5 AMP

At maximum efficiency (最大效率)

EFFICIENCY (效率): 69.7 %
 TORQUE (力矩): 261.9 G.CM
 SPEED (转速): 17512 RPM
 CURRENT (电流): 9.64 AMP
 OUTPUT (功率): 47.12 WATTS

At maximum power (最大功率)

TORQUE (力矩): 925.3 G.CM
 SPEED (转速): 10200 RPM
 CURRENT (电流): 30.04 AMP
 OUTPUT (功率): 96.96 WATTS

THE CURVES REPRESENT THE THEORENICAL PERFORMANCE OF THE SAMPLE ONLY.
 曲线值表示样品的技术特性

PREPARED: _____

CHECKED: _____

APPROVED: _____