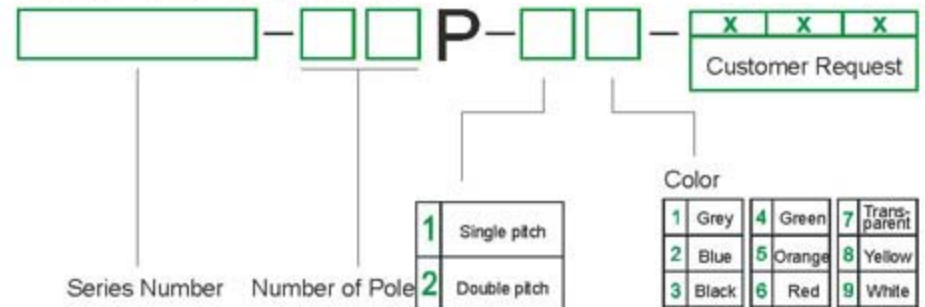


Approval		
Electrical		
Standard	UL	IEC
Rated voltage	300V	130V
Rated current	7A	10A
Wire range	24-18AWG	1.0mm ²
With standing voltage	AC1250V/1Min	

Mechanical	
Torque	0.2Nm(1.7Lb-In.)
Ambient temperature	-40°C~+105°C
Strip length	5-6mm
Dimensions	
Pitch	3.5mm(.138") 3.96mm(.156")
Poles	2P,3P-24P

Material	
Housing	PA66, UL94V-0
Screws	M2, steel, Cr ³⁺ Zn plated
Pin header	Brass, Tin plated
Wire guard	Phosphor bronze

HOW TO ORDER

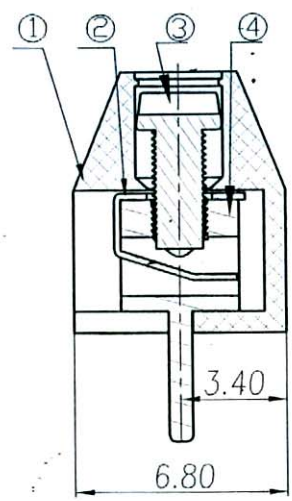
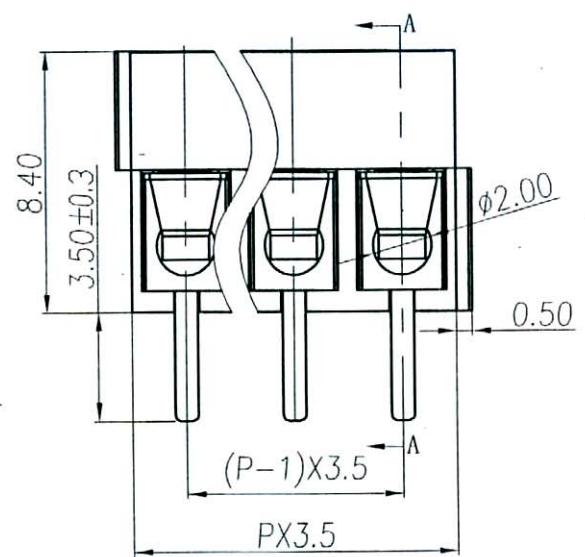
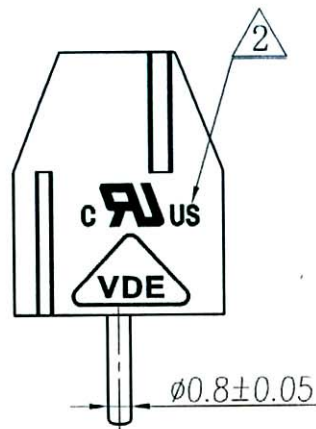
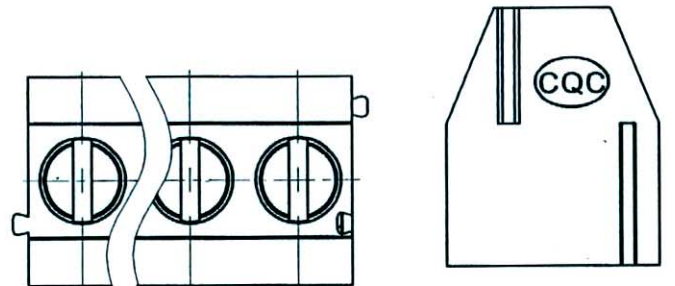


	NAME

REVISION RECORD				
REV	ECD	DESCRIPTION	DRFT	DATE
△		Drawing revise	Haoyh	03/17/06
△		增加VDE标志	LJH	12/26/07



1



SECTION A-A

Notes:

- Pitch: 3.5mm
- Rated voltage/current: UL 300V/10A
VDE 130V/10A
- Operation temperatures: -40°C ~ +105°C
- Withstanding Voltage: AC1500V/1Min
- Insulation Resistance: 5000MΩ / DC1000V
- Wire Range: 24-18AWG, 1.0mm²
- Max. Torque Value: 2.04kgf.cm
- Undimensioned Tolerances:

Pitch range in mm		Nominal dimension range in mm						
to	over	to	over	over	over	over		
6	10	30	60	100	150	∩		
6	10	24	30	60	100	□		
±0.10	±0.15	±0.25	±0.2	±0.3	±0.5	±0.7	±1.0	0.05/10

4		4017B00010 (H)	XX	Brass	SnCe
3		S000001400 (H)	XX	Steel	Cr Zn
2		X000000290 (H)	XX	Phosphor bronze	Ni plated

ITEM	NAME OF PART	NO. OF PART	Q"TY	MATERIAL	NOTES
1	4017A0YXXA (H)	1	PA66	UL94V-0	
TOLERANCES EXCEPT AS NOTED		DATE: 04/18/05			
DFTD: Haoyh		CHKD: Haoyh	DATE: 01/10/08		
MFD		DATE			
APPLV: 2/26		DATE: 01/10/08			
MATERIAL:					
ANGLES: ± 1°					
FINISH:		/PART NO.			
THIRD ANGLE PROJECTION		SCALE: 1:1		DO NOT SCALE DRAWING	
				SHEET 1	OF 1